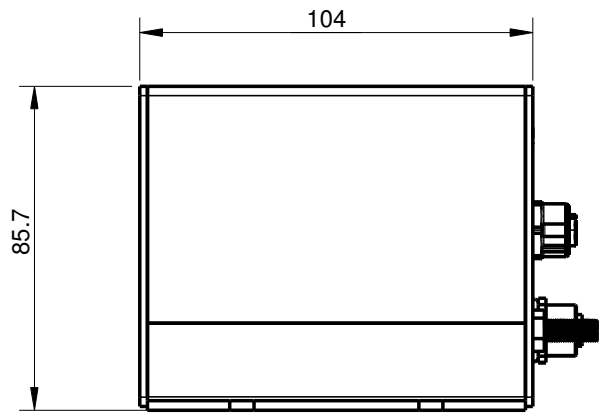
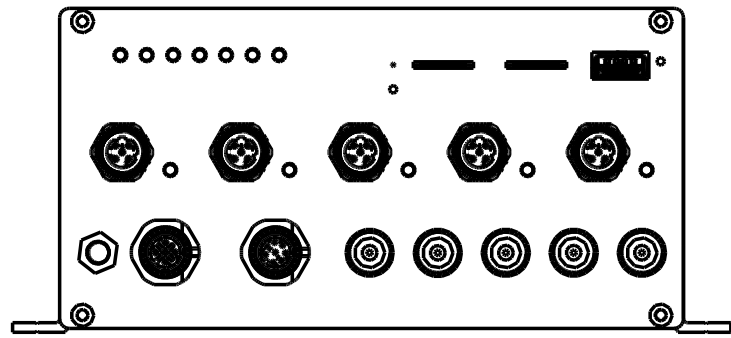


1	2	3	4
RevNo	Revision note	Date	Signature
			Checked

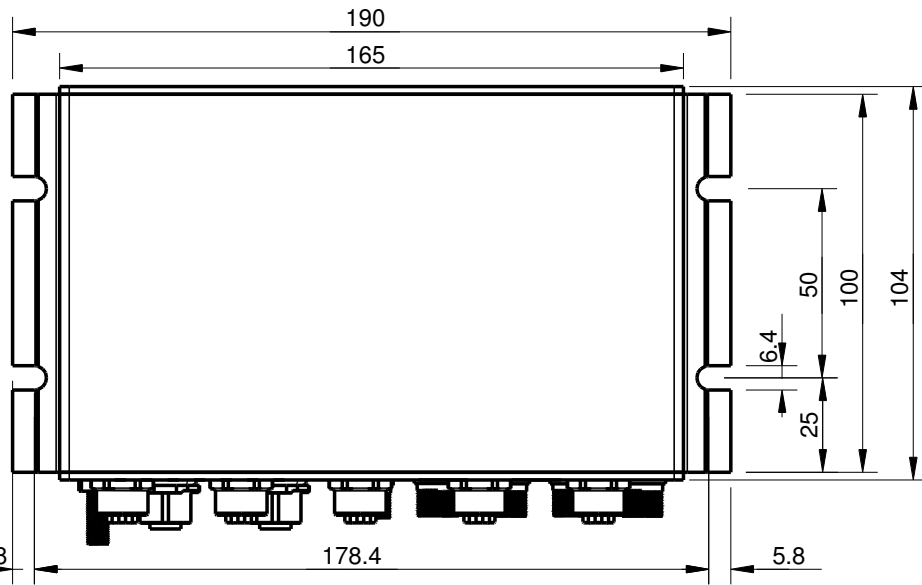
A

A



B

B

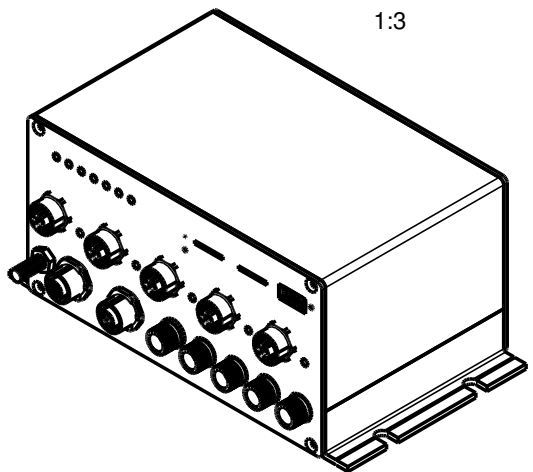


C

C

D

D



Casing material
Anodized aluminium

E

E

F

F

Itemref	Quantity	Title/Name, designation, material, dimension etc			Article No./Reference	
Drawn by NetModule AG		Checked by	Approved by - date	File name	Date 2016-06-21	Scale 1:2
				NB3700 Family		
				Drawing No.	Format A4	Edition Sheet 1/1