



■ Features :

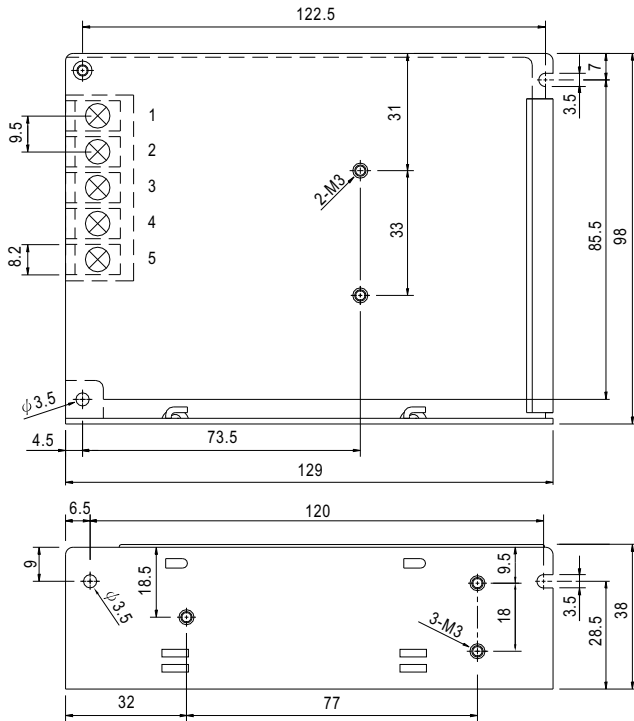
- AC input range selected by switch
- Protections: Short circuit / Overload
- Cooling by free air convection
- LED indicator for power on
- Fixed switching frequency at 37KHz
- 1 year warranty

SPECIFICATION

MODEL	S-35-5	S-35-12	S-35-15	S-35-24	
OUTPUT	DC VOLTAGE	5V	12V	15V	24V
	RATED CURRENT	7A	3A	2.4A	1.5A
	CURRENT RANGE	0 ~ 7A	0 ~ 3A	0 ~ 2.4A	0 ~ 1.5A
	RATED POWER	35W	36W	36W	36W
	RIPPLE & NOISE (max.) Note.2	75mVp-p	100mVp-p	100mVp-p	100mVp-p
	VOLTAGE ADJ. RANGE	4.75 ~ 5.5V	10.8 ~ 13.2V	13.5 ~ 16.5V	22.6 ~ 26.4V
	VOLTAGE TOLERANCE Note.3	±2.0%	±1.0%	±1.0%	±1.0%
	LINE REGULATION	±0.5%	±0.5%	±0.5%	±0.5%
	LOAD REGULATION	±1.0%	±0.5%	±0.5%	±0.5%
	SETUP, RISE TIME	200ms, 100ms at full load			
HOLD UP TIME (Typ.)	36ms at full load				
INPUT	VOLTAGE RANGE	85 ~ 132VAC / 170 ~ 264VAC selected by switch 240 ~ 370VDC			
	FREQUENCY RANGE	47 ~ 63Hz			
	EFFICIENCY(Typ.)	70%	76%	78%	78%
	AC CURRENT (Typ.)	0.64A/115VAC 0.36A/230VAC			
	INRUSH CURRENT (Typ.)	COLD START 17A/115VAC 33A/230VAC			
	LEAKAGE CURRENT	<2mA / 240VAC			
PROTECTION	OVERLOAD	105 ~ 150% rated output power Protection type : Fold back current limiting, recovers automatically after fault condition is removed			
	ENVIRONMENT	WORKING TEMP. -10 ~ +60°C (Refer to "Derating Curve")			
ENVIRONMENT	WORKING HUMIDITY	20 ~ 90% RH non-condensing			
	STORAGE TEMP., HUMIDITY	-20 ~ +85°C, 10 ~ 95% RH			
	TEMP. COEFFICIENT	±0.03%/°C (0 ~ 50°C)			
	VIBRATION	10 ~ 500Hz, 2G 10min./1cycle, period for 60min. each along X, Y, Z axes			
	SAFETY & EMC	SAFETY STANDARDS Design refer to UL1012			
SAFETY & EMC	WITHSTAND VOLTAGE	I/P-O/P:1.5KVAC I/P-FG:1.5KVAC O/P-FG:0.5KVAC			
	ISOLATION RESISTANCE	I/P-O/P, I/P-FG, O/P-FG:100M Ohms / 500VDC / 25°C / 70% RH			
	EMC EMISSION	Design refer to FCC Part15 J Conduction Class B			
OTHERS	MTBF	435.2K hrs min. MIL-HDBK-217F (25°C)			
	DIMENSION	129*98*38mm (L*W*H)			
	PACKING	0.41Kg; 30pcs/13.4Kg/0.86CUFT			
NOTE	<p>1. All parameters NOT specially mentioned are measured at 230VAC input, rated load and 25°C of ambient temperature.</p> <p>2. Ripple & noise are measured at 20MHz of bandwidth by using a 12" twisted pair-wire terminated with a 0.1uf & 47uf parallel capacitor.</p> <p>3. Tolerance : includes set up tolerance, line regulation and load regulation.</p>				

Mechanical Specification

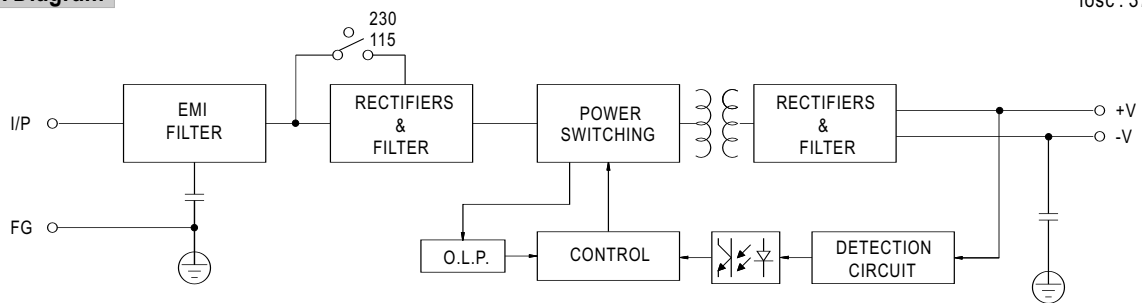
Case No. 903 Unit:mm



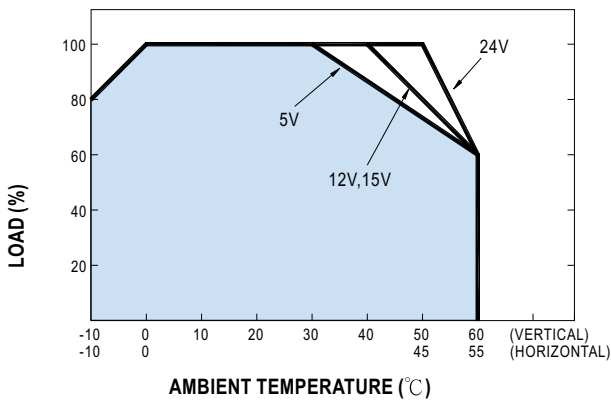
Terminal Pin. No Assignment

Pin No.	Assignment	Pin No.	Assignment
1	AC/L	4	DC OUTPUT -V
2	AC/N	5	DC OUTPUT +V
3	FG		

Block Diagram



Derating Curve



Static Characteristics (24V)

