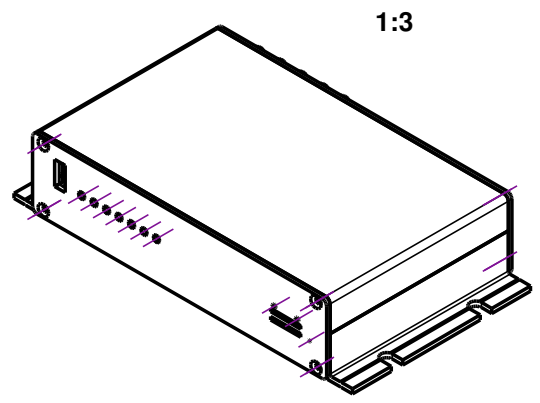
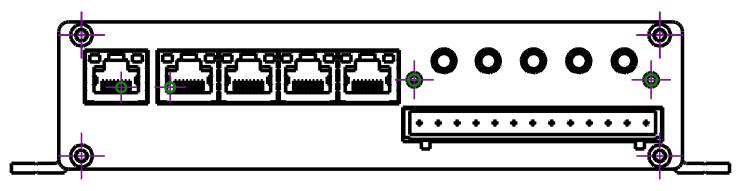
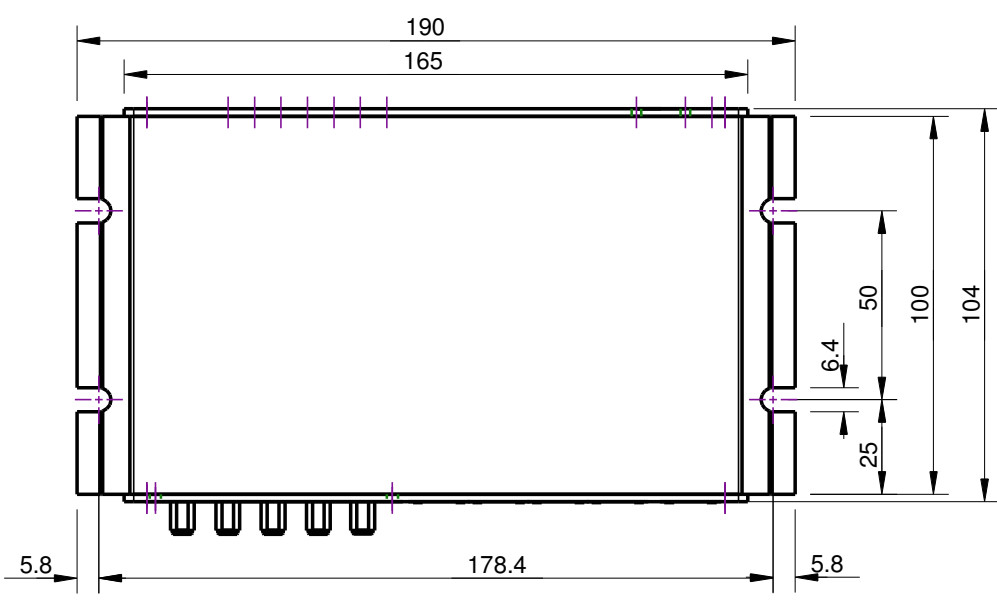
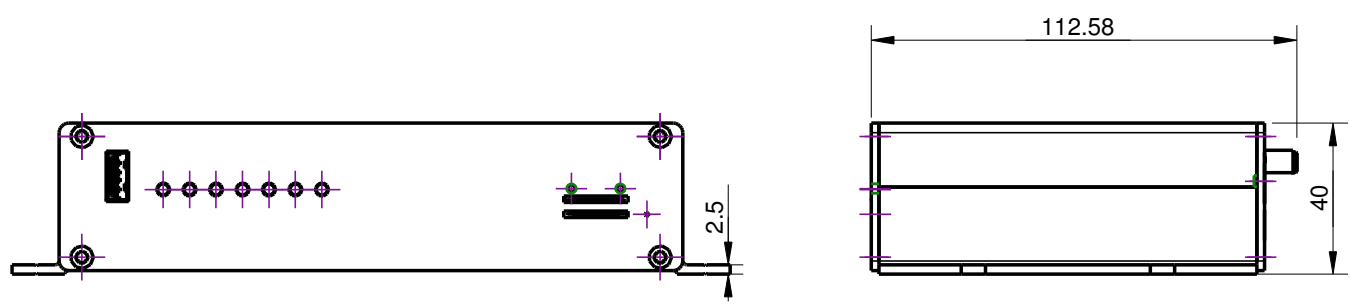


RevNo	Revision note	Date	Signature	Checked
-------	---------------	------	-----------	---------

A
B
C
D
E
F

A
B
C
D
E
F



Casing material
Aluminium eloxed

Itemref	Quantity	Title/Name, designation, material, dimension etc			Article No./Reference	
Drawn by NetModule AG		Checked by	Approved by - date	File name	Date 28.09.2012	Scale 1:2
				NB2700		
				Drawing No.	Format A4	Edition Sheet 1/1