

ROTAPULS • ROTACOD

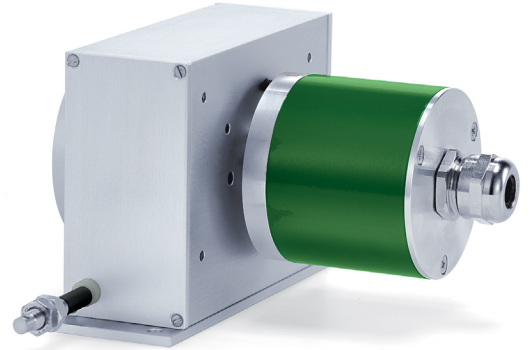
Wire actuated transducer for encoders

Series

SF-I • SF-A



- Compact and cost effective draw-wire unit for encoder
- Simple and reliable construction
- Fits incremental, absolute, analogue & fieldbus encoder
- Measurement range up to 6800 mm
- Drum circumference 200,0 or 204,8 mm



SF-I
SF-A

COMBINATIONS WITH ENCODERS

| | |
|--|--|
| SF-I + CK58-H-500ZCU415R: | Incremental encoder, resolution 0,1 mm (after x 4) |
| SF-I + CK58-H-2000ZCU415R: | Incremental encoder, resolution 0,1 mm |
| SF-A + EMC5812/4096GS-15-RM2+EPFL121H: | SSI absolute encoder, resolution 0,05 mm |
| SF-A + EMC5812/16384PA-15-RM2: | Programmable analogue encoder |
| SF-A + AMC5812/4096PB-15 + CC-PB: | Profibus absolute encoder |

ENVIRONMENTAL SPECIFICATIONS

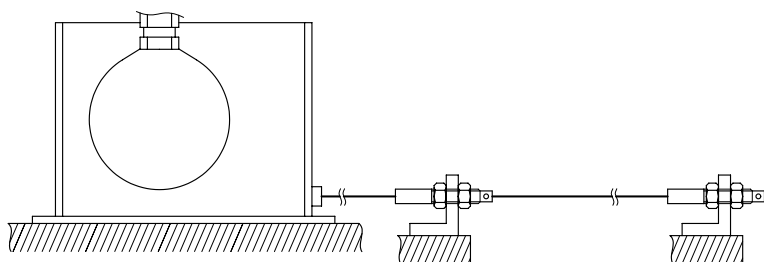
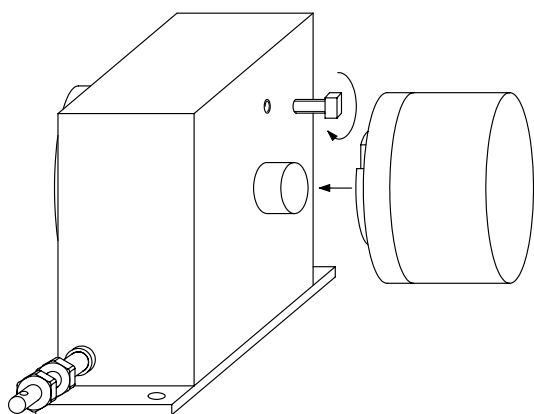
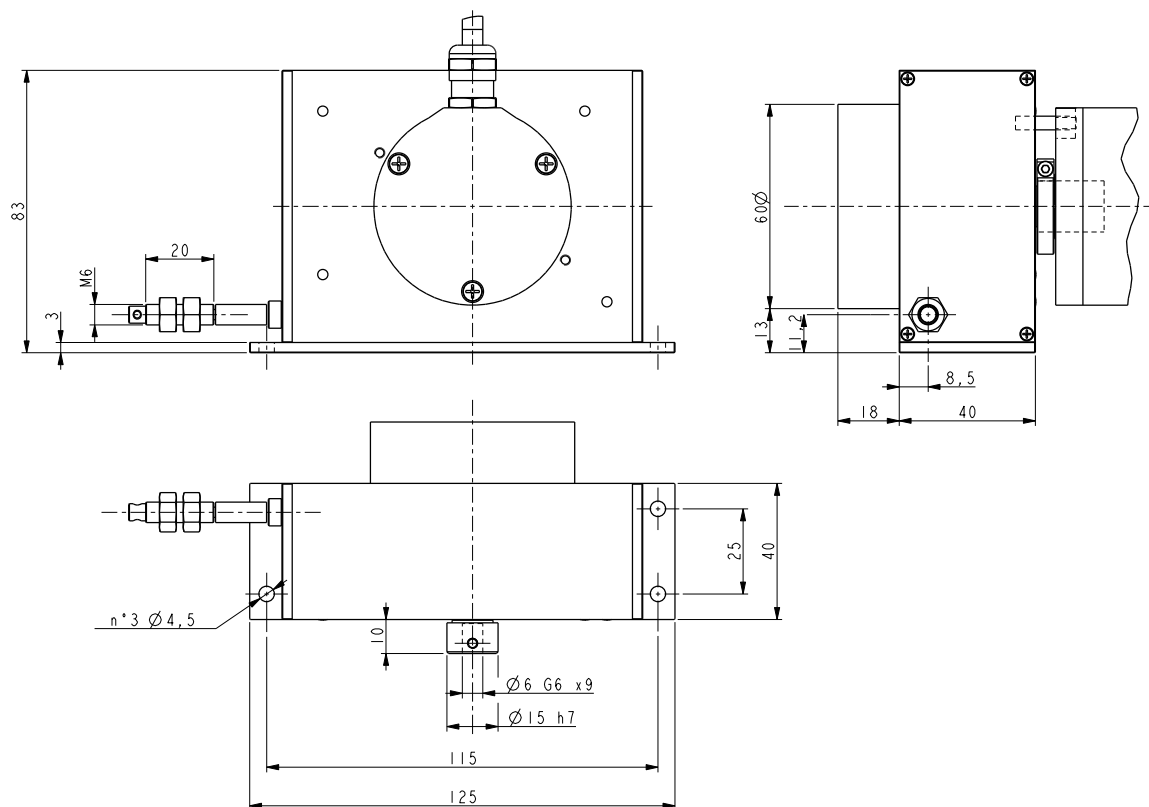
| | |
|------------------------------|---------------------------|
| Operating temperature range: | -20°C +70°C (-4°F +158°F) |
| Protection: | see encoder |

MECHANICAL SPECIFICATIONS

| | |
|------------------------|----------------------------|
| Dimensions: | see drawing |
| Stroke per turn: | 200 - 204,8 mm |
| Wire retraction force: | 5 ÷ 15 N |
| Measuring length: | 5000, 6800 mm |
| Measuring speed: | 2,5 m/sec max. |
| Repeat accuracy: | ± 0.15 mm |
| Weight: | ~ 0,6 kg (without encoder) |

MATERIALS

| | |
|----------|---|
| Housing: | anodized, UNI EN AW-6082 |
| Wire: | stainless steel, non magnetic - UNI EN 4305 |



SF-I
SF-A

Order code

| | | | | |
|----|---|----------|---|-------------|
| SF | - | X (a) | - | XXXX (b) |
|----|---|----------|---|-------------|

(a) STROKE PER TURN

l = 200 mm
A = 204,8 mm

(b) MEASURING LENGTH

5000 = 5000 mm
6800 = 6800 mm